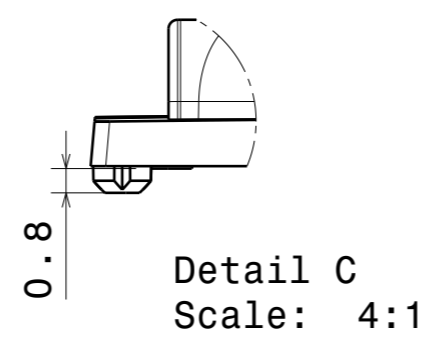
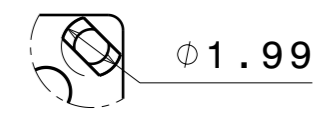
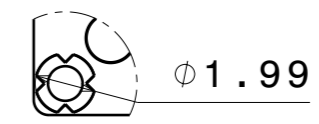
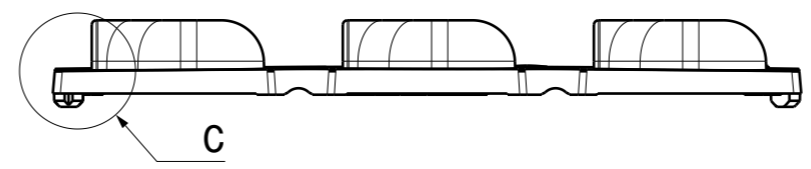
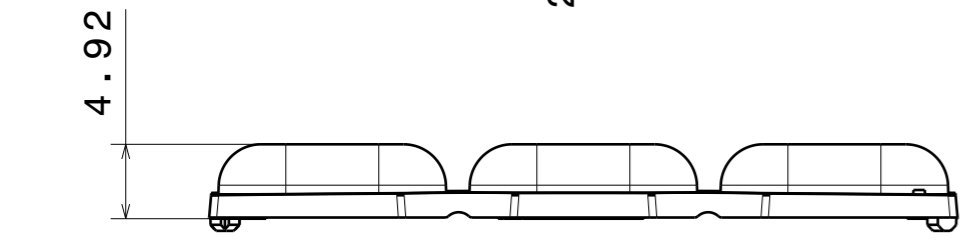


Marking indicates beam direction



**Notes**

- PCB or heatsink level.
- LED location
- Ensure LED fitting from a product specific 3D model available from [www.ledil.com](http://www.ledil.com)
- For more details about installation please see LEDiL Installation Guide on [www.ledil.com](http://www.ledil.com)

PART	TYPE	MATERIAL	COLOR / COATING
C17223_STRADELLA-8-HV-CSP-LW1	lens	PMMA	clear

<b>MECHANICAL DRAWING</b>	
PRODUCT	<b>STRADELLA</b>
Plastic moulding general tolerances according to DIN 16901-130 and applies if not otherwise shown in the drawing. Silicone moulding general tolerances according to ISO 3302-1 Class M3 and applies if not otherwise shown in the drawing.	FIRST ANGLE PROJECTION: 
SCALE 2:1	WEIGHT 6,94 g

**LEDiL**®

This drawing is the property of LEDiL Oy. It may not be copied or otherwise distributed without prior written permission from LEDiL Oy.

A3 SHEET 1/1